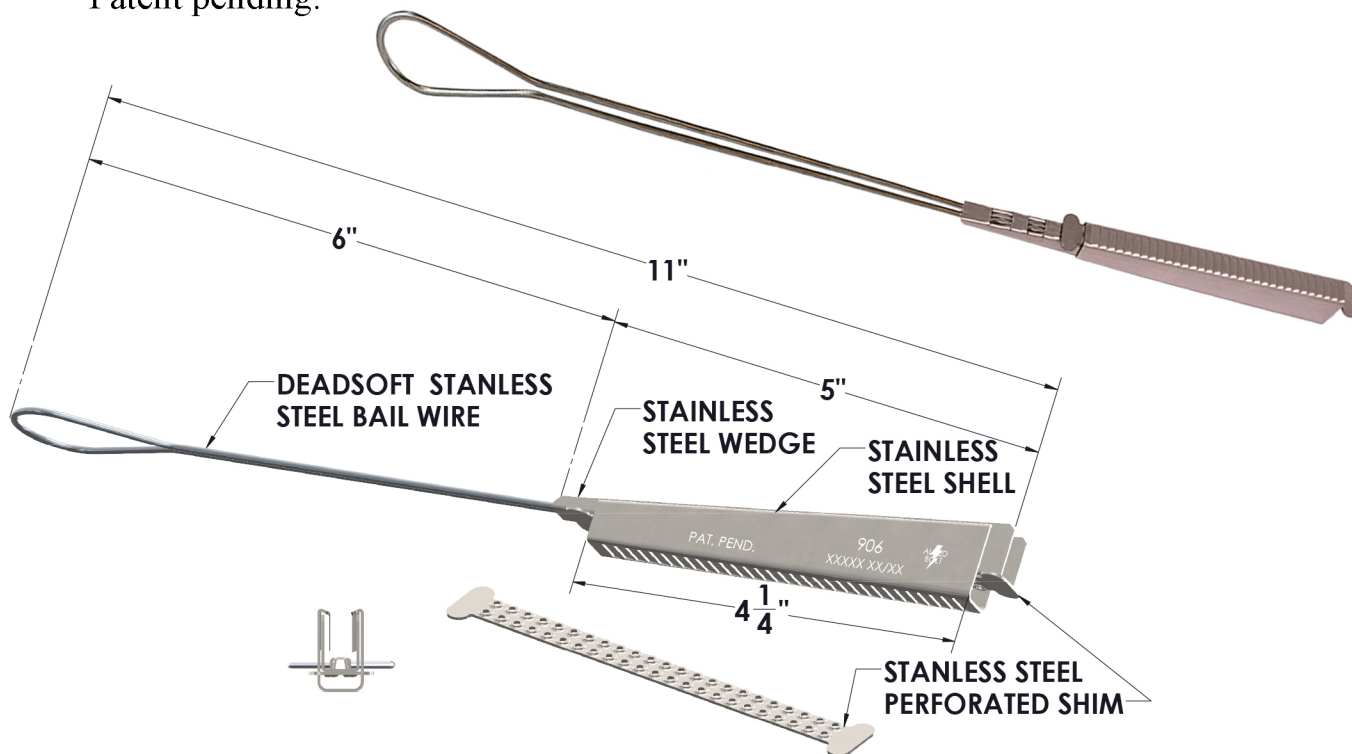


UNIVERSAL THREE PIECE FIBER DROP CABLE CLAMP

Product Details

- An optimized three-piece clamp designed to support Corning's SST-Drop™ Fiber Cable, and ROCTM Fiber Drop Cable, as well as similar cables produced by other manufacturers. The clamp is also designed to support 1-2 Twisted Pair Copper Drop Cables.
- The clamp is rated to support Fiber Drop Cables to a maximum of 400lbs with minimal attenuation and 1-2 Twisted Pair of Copper Drop Cable up to 550lbs.
- Shell, Wedge and Shim are stamped from #304 Stainless Steel. The Tail Wire is formed from deadsoft #430 Stainless Steel.
- Elongated clamp provides compression over a greater surface area.
- Perforations on the shim compress the support members of the fiber cable without causing attenuation of the fiber.
- Patent pending.



Part #	Pkg Qty	Pkg Per Carton	Carton Weight (lbs.)
906	25	20	47



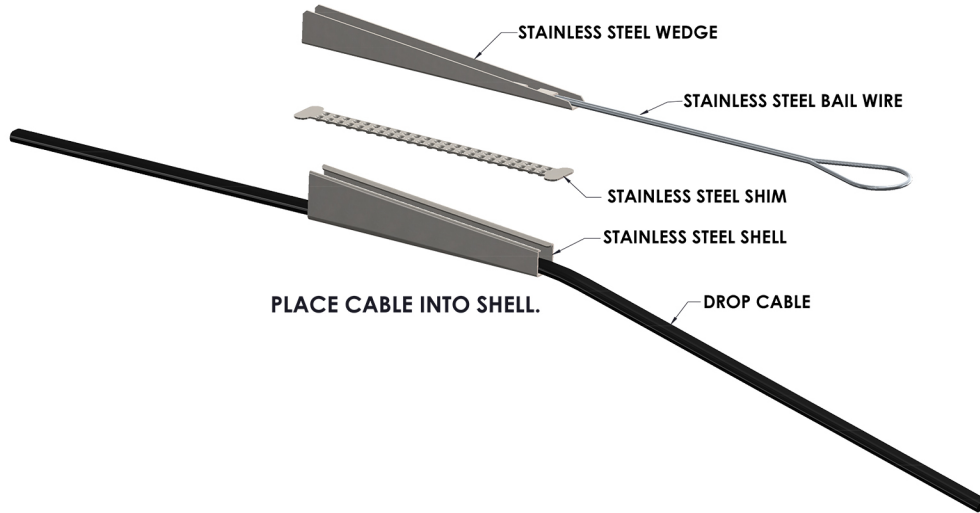
For technical assistance, sample, or quote
 Please call us at (516)512-7600 or email us at orders@alliedboltinc.com

3000 Marcus Ave., Suite 3E09 Lake Success, NY 11042
 Fax: (516)512-7611 • www.alliedboltinc.com

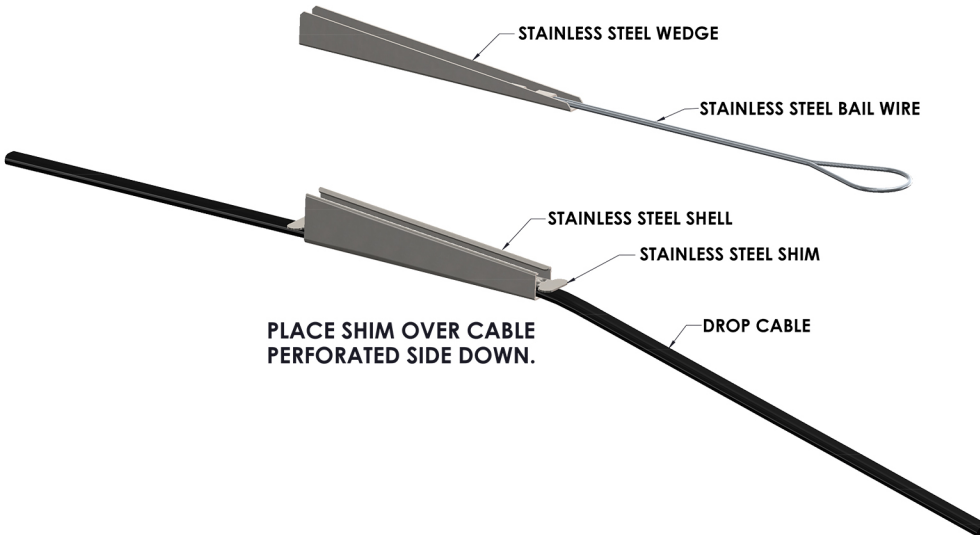
UNIVERSAL THREE PIECE FIBER DROP CABLE CLAMP

Installation

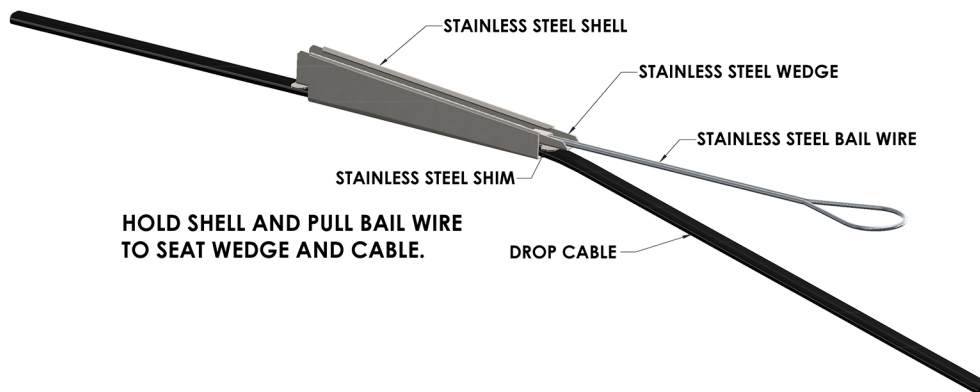
1



2



3



For technical assistance, sample, or quote
Please call us at (516)512-7600 or email us at orders@alliedboltinc.com

3000 Marcus Ave., Suite 3E09 Lake Success, NY 11042
Fax: (516)512-7611 • www.alliedboltinc.com

Copyright © 2020 Allied Bolt Products, LLC. All Rights Reserved.